

WARRANTY HIGHLIGHTS

This **warranty is applicable to the original consumer**. Cabinets will be free from unnatural or avoidable defects in material and workmanship under normal residential usage for the stated warranty period, which begins with date of purchase by the original consumer purchaser. Length of warranty varies by product; please refer to specific full product warranty for details. These warranties are **only applicable to product used in residential applications** within North America and are not transferable to subsequent owners.

Our **obligation under these warranties shall be limited to** the repair or replacement of any part or parts that prove defective as determined by our review. These warranties do not cover the cost of installation, removal, subsequent damage or transportation of the defective product, regardless of who performs the work. It is the responsibility of the homeowner to inspect and accept the product prior to installation as installation indicates full acceptance of the product.

These **warranties shall become void** if products are misused, abused, mishandled, improperly stored, changed, modified or subjected to extreme temperatures or extreme moisture levels, acts of God or the effects of normal wear and tear. These warranties do not apply to cabinetry ordered and purchased unfinished. We reserve the right to substitute discontinued product with the most similar styling, wood species, and color available at the time your claim is submitted.

To obtain performance under these limited warranties, first contact your place of purchase, who will arrange for an inspection. A dated sales receipt as proof of purchase is required to obtain benefits from these warranties. If you are unable to contact your place of purchase, please write to Customer Care Department at the address noted at the bottom of this page with an explanation of the defect.

ELKAY®

Since 1920, a leader in high quality sinks, faucets, water coolers, bottle filling stations, drinking fountains and cabinets.

10501 10th Street, Waconia MN 55387

KCMA



KCMA Certified

Your cabinets are certified by the Kitchen Cabinet Manufacturers Association (KCMA). This assures you that your cabinets comply with the rigorous standards set by the American National Standards Institute (ANSI).



KCMA Environmental Stewardship Program

This Cabinetry is an approved participant in the KCMA Environmental Stewardship Program and has been certified as meeting the ESP 01-06 requirements for Air Quality, Resource Management of Product and Process, Environmental Stewardship and Community Relations.



GUIDE TO NEW CABINETRY

Congratulations on your new cabinetry purchase! Please take time to read this informative brochure. These important care instructions will help you to protect your investment and provide lasting beauty for years to come.

• **The high heat generated from the self-cleaning cycle of your oven** or range may discolor Thermofoil cabinetry, which is why we recommend opening your doors and drawers fully or the use of heat shields.

Decorative Hardware

Periodically use mild soap and warm water to clean door and drawer hardware.

- **After cleaning, dry and buff** hardware with a clean, soft cloth.
- **Do not use brass and silver polishes.** These polishes contain harsh chemicals that can damage the hardware's surface.

Glass Door Inserts

If your kitchen cabinetry includes doors with glass inserts, please follow these cleaning guidelines:

- **Spray an ammonia-free glass cleaner** on a clean, soft lint-free cloth or paper towel.
- **Avoid spraying cleaner directly on the glass** as overspray may cause damage to the wood finish.

Breadboard Cleaning

Before initial use, wipe entire board with mineral oil and allow it to soak into the wood.

- **After routine use**, wipe clean with a damp cloth and dry thoroughly.
- **Do not immerse** breadboard in water or clean in dishwasher.

CARE AND CLEANING

Keeping Your Cabinets Beautiful

Once your cabinets have been installed, wipe down all exteriors and interiors with a damp cloth to remove dust, drying immediately with a dry cloth. Be careful not to scratch the surface when wiping off dust and debris.

- **Regular exterior and interior cleaning** requires only wiping with a damp cloth and then drying. Remove oil, grease or general soil using a clean cloth dampened with a fresh solution of mild soap and water. Rinse with a clean, damp cloth, then dry thoroughly. It is important to wipe spills immediately. Prolonged exposure to spills, including food, water or other liquids can cause permanent discoloration or damage to your cabinet's finish.
- **Avoid using harsh detergents**, strong soap, abrasive cleaners or self-polishing waxes. All of these items can damage the factory-applied protective finish.
- **Avoid using your dishcloth** to clean or dry cabinet exteriors. It may contain remnants of detergents and grease.
- **Treat your cabinets as you would fine furniture** and they will reward you with long-lasting beauty. Excess moisture is an enemy of any finish. Sink, range, dishwasher, oven and baseboard areas are most susceptible. Immediately dry surfaces where water may have spilled using a clean cloth. Never hang damp towels over cabinetry to dry. Excessive moisture will cause the wood to expand and damage the finish.

WOOD CHARACTERISTICS

The beauty of finished cabinetry comes from the unique natural characteristics of the wood itself.

All hardwoods have their own “personality” or special characteristics; variations in color, grain pattern and texture are to be expected because they are natural aspects of the materials. Due to these naturally occurring characteristics, each piece of wood will react differently to the finish material used resulting in slight shade differences within and between cabinets.

Finished wood is constantly “mellowing” and changing in appearance because of the natural aging of the wood, the finish on the wood, and the long-term effects of light. These characteristics are apparent when natural, light or tinted finishes are applied. This results from the character and beauty of natural wood and are considered desirable aspects.

- **Maple, Rustic Maple, Birch, Oak** and **Hickory** contain natural resins, which cause wood to turn amber as it ages.

- **Cherry, Rustic Cherry** and **Knotty Alder** will darken or mellow with age, a change which usually takes place within the first six months.

With all wood products it is important to monitor and control levels of humidity. Excess humidity may be caused by any number of issues and can create multiple symptoms within the home, including problems with wood cabinetry. As a natural wood product, cabinetry should be installed in an environment where temperature and humidity levels are controlled. All wood, whether raw or finished, will react to changes in humidity level. The multi-step finishing process will slow the expansion or contraction of the wood but cannot prevent it. The natural expansion and contraction characteristics of wood products, due to atmospheric conditions such as **temperature and humidity changes, may cause the paint or finish on the cabinet to separate at joinery points** producing hairline cracks. This is unavoidable and an acceptable characteristic that will vary based on climatic changes. Density of wood affects how much or how little wood expands. When exposed to humidity changes, Maple and Hickory will expand or contract more than less dense wood species. We recommend the use of an air conditioner and humidifier to control the humidity of the home.

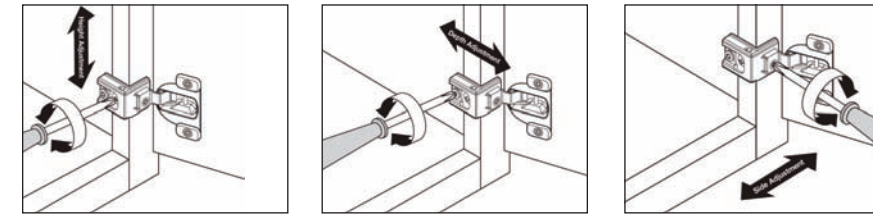
We mention these conditions because we cannot be responsible for the type of or degree of natural variations you may actually experience in your kitchen or bath.

Total Potential Movement (inches) of solid wood panels starting point 38% Relative Humidity (7% Moisture Content)

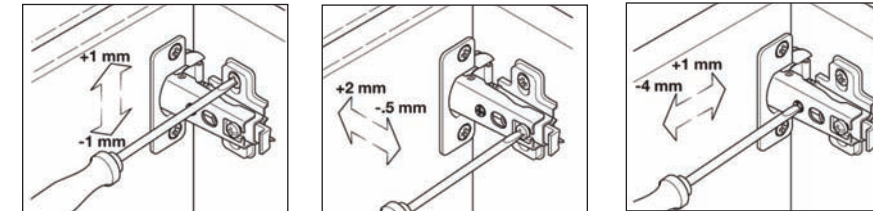
Species	Panel Dimension (inches)	Panel Dimension in Winter 20% RH	Panel Dimension in Summer 80% RH
Knotty Alder	20	19.84	20.47
Cherry	20	19.84	20.46
Hickory	20	19.80	20.58
Maple/Birch	20	19.78	20.66
Oak	20	19.81	20.56

HARDWARE ADJUSTMENTS

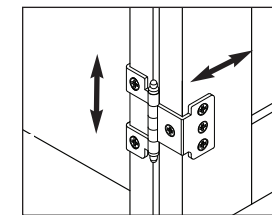
Overlay Hinge



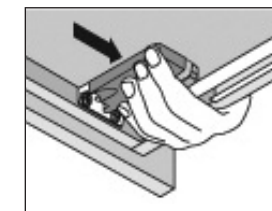
Concealed Hinge



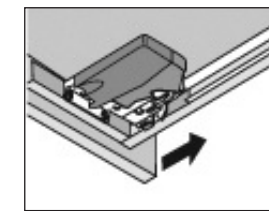
Barrel Hinge



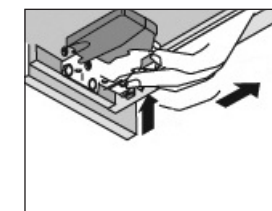
Undermount Drawer Guide Adjustment



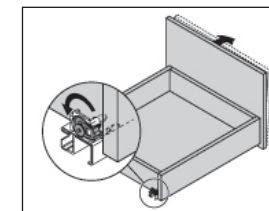
Drawer Box Removal: Squeeze both orange handles and pull drawer up and out.



Drawer Box Placement: Place drawer box on runners and close; drawer will automatically engage runners.

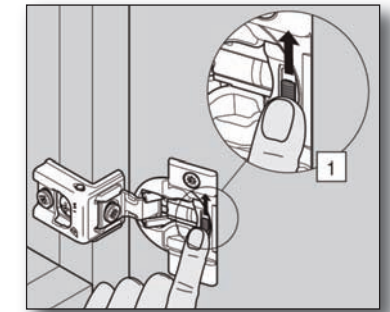


Height of Drawer Front: Press up on the adjustment latch and press toward back of drawer.



Tilt Adjustment: Rotate the tilt adjustment lever on the rear of each runner profile to tilt the top of the drawer front forward.

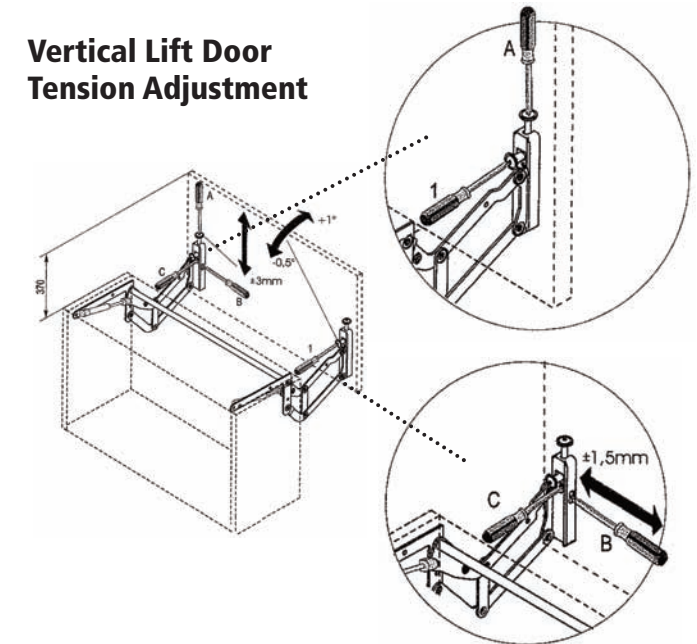
Door Closure



Softclose switch on hinge cup:

For small or light doors, the Softclose can be deactivated on one of the hinges. Door must be closed once for deactivation to be complete. To reactivate, move switch back to original position.

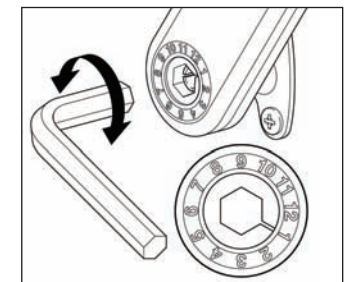
Vertical Lift Door Tension Adjustment



Lift & Stay Door Tension Adjustment

Using an Allen wrench, adjust the lift mechanism to the desired tension. Test door and repeat until desired function is achieved.

NOTE: Tension adjustment should be the same on both lift mechanisms.



NOTE: The hardware adjustments may not represent the exact hardware in your cabinetry, but adjustability may be similar to those shown above.